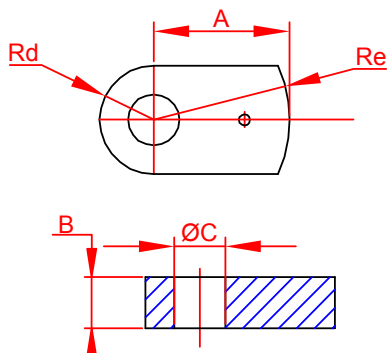


SPRINFORS Проушины сварные (сталь)



Ref. No	Размеры (mm)					
	A	B	ØC ^{+0.1}	Rd	Re	
A01	13.5	3	6.1	6.5	13.5	
A02	13.5	3	8.1	6.5	13.5	
A03	17.5	3	6.1	7.5	17.5	
A04	17.5	3	8.1	7.5	17.5	
A05	17.5	5	6.1	7.5	17.5	
A06	17.5	5	8.1	7.5	17.5	
A16	14.5	5	8.5	7.5	17.5	
A17	17.5	5	10.1	9	18	
A18	13.5	3	6.5	6.5	13.5	
A21	17.5	5	8.1	7.5	17.5	Pin Attached
A22	17.5	5	8.1	7.5	17.5	Clip Assembled
A30	17.5	5	9.5	7.5	17.5	
A32	20.5	5	8.1	7.5	20.5	
A51	15.5	3	10.1	9.5	15.5	
A81	10.5	5	8.5	7.5	17.5	
A91	10.5	3	4.1	5	10.5	
A94	10.5	3	6.5	5	10.5	